



C 515BEE

Compact Disc Player



ENGLISH

FRANÇAIS

ESPAÑOL

ITALIANO

DEUTSCH

NEDERLANDS

SVENSKA

РУССКИЙ

Owner's Manual

Manuel d'Installation

Manual del Usuario

Manuale delle Istruzioni

Bedienungsanleitung

Gebruikershandleiding


Bruksanvisning

Инструкция по эксплуатации

IMPORTANT SAFETY INSTRUCTIONS

SAVE THESE INSTRUCTIONS FOR LATER USE.

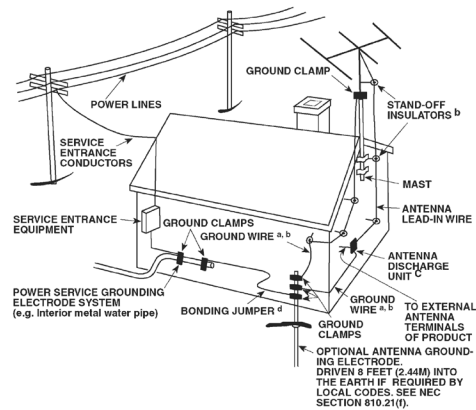
FOLLOW ALL WARNINGS AND INSTRUCTIONS MARKED ON THE AUDIO EQUIPMENT.

- 1 Read instructions** - All the safety and operating instructions should be read before the product is operated.
- 2 Retain instructions** - The safety and operating instructions should be retained for future reference.
- 3 Heed Warnings** - All warnings on the product and in the operating instructions should be adhered to.
- 4 Follow Instructions** - All operating and use instructions should be followed.
- 5 Cleaning** - Unplug this product from the wall outlet before cleaning. Do not use liquid cleaners or aerosol cleaners. Use a damp cloth for cleaning.
- 6 Attachments** - Do not use attachments not recommended by the product manufacturer as they may cause hazards.
- 7 Water and Moisture** - Do not use this product near water-for example, near a bath tub, wash bowl, kitchen sink, or laundry tub; in a wet basement; or near a swimming pool; and the like.
- 8 Accessories** - Do not place this product on an unstable cart, stand, tripod, bracket, or table. The product may fall, causing serious injury to a child or adult, and serious damage to the product. Use only with a cart, stand, tripod, bracket, or table recommended by the manufacturer, or sold with the product. Any mounting of the product should follow the manufacturer's instructions, and should use a mounting accessory recommended by the manufacturer.
-  A product and cart combination should be moved with care. Quick stops, excessive force, and uneven surfaces may cause the product and cart combination to overturn.
- 10 Ventilation** - Slots and openings in the cabinet are provided for ventilation and to ensure reliable operation of the product and to protect it from overheating, and these openings must not be blocked or covered. The openings should never be blocked by placing the product on a bed, sofa, rug, or other similar surface. This product should not be placed in a built-in installation such as a bookcase or rack unless proper ventilation is provided or the manufacturer's instructions have been adhered to.
- 11 Power Sources** - This product should be operated only from the type of power source indicated on the marking label. If you are not sure of the type of power supply to your home, consult your product dealer or local power company.
The primary method of isolating the amplifier from the mains supply is to disconnect the mains plug. Ensure that the mains plug remains accessible at all times. Unplug the AC power cord from the AC outlet if the unit will not be used for several months or more.
- 12 Grounding or Polarization** - This product may be equipped with a polarized alternating-current line plug (a plug having one blade wider than the other). This plug will fit into the power outlet only one way. This is a safety feature. If you are unable to insert the plug fully into the outlet, try reversing the plug. If the plug should still fail to fit, contact your electrician to replace your obsolete outlet. Do not defeat the safety purpose of the polarized plug.
- 13 Power - Cord Protection** - Power-supply cords should be routed so that they are not likely to be walked on or pinched by items placed upon or against them, paying particular attention to cords at plugs, convenience receptacles, and the point where they exit from the product.

- 14 Outdoor Antenna Grounding** - If an outside antenna or cable system is connected to the product, be sure the antenna or cable system is grounded so as to provide some protection against voltage surges and built-up static charges. Article 810 of the National Electrical Code, ANSI/NFPA 70, provides information with regard to proper grounding of the mast and supporting structure, grounding of the lead-in wire to an antenna discharge unit, size of grounding conductors, location of antenna discharge unit, connection to grounding electrodes, and requirements for the grounding electrode.

NOTE TO CATV SYSTEM INSTALLER

This reminder is provided to call the CATV system installer's attention to Section 820-40 of the NEC which provides guidelines for proper grounding and, in particular, specifies that the cable ground shall be connected to the grounding system of the building, as close to the point of cable entry as practical.



- 15 Lightning** - For added protection for this product during a lightning storm, or when it is left unattended and unused for long periods of time, unplug it from the wall outlet and disconnect the antenna or cable system. This will prevent damage to the product due to lightning and power-line surges.
- 16 Power Lines** - An outside antenna system should not be located in the vicinity of overhead power lines or other electric light or power circuits, or where it can fall into such power lines or circuits. When installing an outside antenna system, extreme care should be taken to keep from touching such power lines or circuits as contact with them might be fatal.
- 17 Overloading** - Do not overload wall outlets, extension cords, or integral convenience receptacles as this can result in a risk of fire or electric shock.
- 18 Object and Liquid Entry** - Never push objects of any kind into this product through openings as they may touch dangerous voltage points or short-out parts that could result in a fire or electric shock. Never spill liquid of any kind on the product.

WARNING: THE APPARATUS SHOULD NOT BE EXPOSED TO DRIPPING OR SPLASHING, AND OBJECTS FILLED WITH LIQUIDS, SUCH AS VASES, SHOULD NOT BE PLACED ON THE APPARATUS. AS WITH ANY ELECTRONIC PRODUCTS, USE CARE NOT TO SPILL LIQUIDS INTO ANY PART OF THE SYSTEM. LIQUIDS CAN CAUSE A FAILURE AND/OR A FIRE HAZARD.

19 Damage Requiring Service - Unplug this product from the wall outlet and refer servicing to qualified service personnel under the following conditions:

- a) When the power-supply cord or plug is damaged.
- b) If liquid has been spilled, or objects have fallen into the product.
- c) If the product has been exposed to rain or water.
- d) If the product does not operate normally by following the operating instructions. Adjust only those controls that are covered by the operating instructions as an improper adjustment of other controls may result in damage and will often require extensive work by a qualified technician to restore the product to its normal operation.
- e) If the product has been dropped or damaged in any way.
- f) when the product exhibits a distinct change in performance-this indicates a need for service.

20 Replacement Parts - When replacement parts are required, be sure the service technician has used replacement parts specified by the manufacturer or have the same characteristics as the original part. Unauthorized substitutions may result in fire, electric shock, or other hazards.

21 Safety Check - Upon completion of any service or repairs to this product, ask the service technician to perform safety checks to determine that the product is in proper operating condition.

22 Wall or Ceiling Mounting - The product should be mounted to a wall or ceiling only as recommended by the manufacturer.

23 Heat - The product should be situated away from heat sources such as radiators, heat registers, stoves or other products (including amplifiers) that produce heat.

WARNING

TO REDUCE THE RISK OF FIRE OR ELECTRIC SHOCK, DO NOT EXPOSE THIS PRODUCT TO RAIN OR MOISTURE.

CAUTION

TO PREVENT ELECTRIC SHOCK, MATCH WIDE BLADE OF PLUG TO WIDE SLOT, FULLY INSERT.

CAUTION

The C 515BEE employs a Laser System. To ensure proper use of this product, please read this owner's manual carefully and retain for future reference. Should the unit require maintenance, contact an authorized service location. Use of controls, adjustments or the performance of procedures other than those specified may result in exposure to laser radiation. To prevent direct exposure to laser beam, do not try to open the enclosure. Visible laser radiation when the enclosure is opened.

DO NOT STARE INTO BEAM.

FCC NOTICE

This equipment has been tested and found to comply with the limits for a Class B digital device, pursuant to part 15 of the FCC Rules. These limits are designed to provide reasonable protection against harmful interference in a residential installation.

This equipment generates, uses and can radiate radio frequency energy and if not installed and used in accordance with the instructions, may cause harmful interference to radio communications. However, there is no guarantee that interference will not occur in a particular installation. If this equipment does cause harmful interference to radio or television reception, which can be determined by turning the equipment off and on, the user is encouraged to try to correct the interference by one or more of the following measures

- Reorient or relocate the receiving antenna.
- Increase the separation between the equipment and receiver.
- Connect the equipment into an outlet on a circuit different from that to which the receiver is connected
- Consult the dealer or an experienced radio/TV technician for help.

FCC WARNING

Changes or modifications not expressly approved by the party responsible for compliance could void the user's authority to operate the equipment.

INDUSTRY CANADA REQUIREMENT

This Class B digital apparatus meets all requirements of the Canadian Interference-Causing Equipment Regulations.



THE LIGHTNING FLASH WITH ARROWHEAD SYMBOL, WITHIN AN EQUILATERAL TRIANGLE, IS INTENDED TO ALERT THE USER TO THE PRESENCE OF UNINSULATED "DANGEROUS VOLTAGE" WITHIN THE PRODUCT'S ENCLOSURE THAT MAYBE OF SUFFICIENT MAGNITUDE TO CONSTITUTE A RISK OF ELECTRIC SHOCK TO PERSONS.



THE EXCLAMATION POINT WITHIN AN EQUILATERAL TRIANGLE IS INTENDED TO ALERT THE USER TO THE PRESENCE OF IMPORTANT OPERATING AND MAINTENANCE (SERVICING) INSTRUCTIONS IN THE LITERATURE ACCOMPANYING THE APPLIANCE.



The equipment draws its nominal non-operational power from the AC outlet with its POWER switch in the STANDBY position. The socket-outlet shall be installed near the apparatus and shall be easily accessible.

CAUTION

Changes or modifications to this equipment not expressly approved by NAD Electronics for compliance could void the user's authority to operate this equipment.

CAUTION REGARDING PLACEMENT

To maintain proper ventilation, be sure to leave a space around the unit (from the largest outer dimensions including projections) that is equal to or greater than shown below.

- Left and Right Panels: 10 cm
- Rear Panel: 10 cm
- Top Panel: 50 cm

IMPORTANT SAFETY INSTRUCTIONS

IMPORTANT INFORMATION FOR UK CUSTOMERS

DO NOT cut off the mains plug from this equipment. If the plug fitted is not suitable for the power points in your home or the cable is too short to reach a power point, then obtain an appropriate safety approved extension lead or consult your dealer. If, nonetheless, the mains plug is cut off, REMOVE THE FUSE and dispose of the PLUG immediately, to avoid possible shock hazard by inadvertent connection to the mains supply. If this product is not provided with a mains plug, or one has to be fitted, then follow the instructions given below:

IMPORTANT

DO NOT make any connection to the larger terminal which is marked with the letter 'E' or by the safety earth symbol or colored GREEN or GREEN AND YELLOW.

The wires in the mains lead on this product are colored in accordance with the following code:

- BLUE – NEUTRAL
- BROWN – LIVE

As these colors may not correspond with the colored markings identifying the terminals in your plug, proceed as follows:

- The BLUE wire must be connected to the terminal marked with the letter 'N' or colored BLACK.
- The BROWN wire must be connected to the terminal marked with the letter 'L' or colored RED.

When replacing the fuse, only a correctly rated and approved type should be used, and be sure to re-fit the fuse cover.

IF IN DOUBT CONSULT A COMPETENT ELECTRICIAN.

NOTES ON ENVIRONMENTAL PROTECTION



At the end of its useful life, this product must not be disposed of with regular household waste but must be returned to a collection point for the recycling of electrical and electronic equipment. The symbol on the product, user's manual and packaging, point this out.

The materials can be reused in accordance with their markings. Through re-use, recycling of raw materials or other forms of recycling of old products, you are making an important contribution to the protection of our environment. Your local administrative office can advise you of the responsible waste disposal point.

NOTE: THE C 515BEE IS NOT AN AUTO VOLTAGE CD PLAYER. CONNECT ONLY TO THE PRESCRIBED AC OUTLET, I.E., 120V 60HZ OR 230V 50HZ.

RECORD YOUR MODEL NUMBER (NOW, WHILE YOU CAN SEE IT)

The model and serial number of your new C 515BEE are located on the back of the cabinet. For your future convenience, we suggest that you record these numbers here:

Model no. :

Serial no. :

IMPORTANT SAFETY INSTRUCTIONS 2

INTRODUCTION

GETTING STARTED 6
 UNPACKING AND SETUP6
 QUICK START6

IDENTIFICATION OF CONTROLS

FRONT PANEL 7
REAR PANEL 8
CD 7 REMOTE CONTROL 9

OPERATION

USING THE C 515BEE - FEATURES 10
 CD-R AND CD-RW AUDIO DISCS 10
 PLAYING MP3/WMA FILES 10
 PROGRAMMING 10

USING THE C 515BEE – CD 7 REMOTE CONTROL 11
 NUMERIC KEY PAD 11
 REPEAT 11
 REPEAT A-B 11
 RANDOM 11
 DIMMER 11
 TIME 11
 INDEX 11

REFERENCE

TROUBLESHOOTING 12
NOTES ON DISCS 12
SPECIFICATIONS 13

THANK YOU FOR CHOOSING NAD.

The C 515BEE CD Player is a technologically advanced and highly capable product – yet we have invested great effort in making it simple and easy to use. We have been careful to ensure that the C 515BEE is as musically transparent and spatially accurate as possible, incorporating much of what we’ve learned from a quarter-century’s experience designing audio and home-theater components. As with all our products, NAD’s “Music First” design philosophy guided the C 515BEE’s design, such that it can confidently promise you both state-of-the-art and audiophile-quality music listening for years to come.

We encourage you to take a few minutes now to read right through this manual. Investing a little time here at the outset might save you a good deal of time later, and is by far the best way to ensure that you make the most of your investment in the C 515BEE.

One more thing: We urge you to register your C 515BEE ownership on the NAD Worldwide Web site:

<http://NADelectronics.com/warranty>

For warranty information contact your local distributor.

INTRODUCTION

GETTING STARTED

UNPACKING AND SETUP

WHAT'S IN THE BOX

Packed with your C 515BEE you will find:

- An audio cable connector
- The CD 7 remote control with 2 (two) AAA batteries
- This owner's manual

SAVE THE PACKAGING

Please save the box and all of the packaging in which your C 515BEE arrived. Should you move or otherwise need to transport your C 515BEE, this is by far the safest container in which to do so. We've seen too many otherwise perfect components damaged in transit for lack of a proper shipping carton, so please: Save that box!

CHOOSING A LOCATION

Choose a location that is well ventilated (with at least several inches to both sides and behind), and that will provide a clear line of sight, within 25 feet/8 meters, between the C 515BEE's front panel and your primary listening/viewing position. This will ensure reliable infrared remote control communications. The C 515BEE generates a modest amount of heat, but nothing that should trouble adjacent components. It is perfectly possible to stack the C 515BEE on top of other components.

NOTE ON INSTALLATION

IMPORTANT! Install the C 515BEE Compact Disc player on a level, vibration-free surface. Severe vibration or operation in a tilted position may cause the player to mis-track. The player may be stacked with other stereo components, as long as there is adequate ventilation around it. If the C 515BEE is placed in close proximity to a radio tuner (AM or FM), a VCR or a television set, the operation of its digital circuits may produce static that would interfere with reception of weak broadcast signals. If this occurs, move the C 515BEE away from other devices or switch it off when viewing or listening to broadcasts.

QUICK START

In case you simply cannot wait to experience the performance of your new NAD C 515BEE, we provide the following "Quick Start" instructions to get you underway.

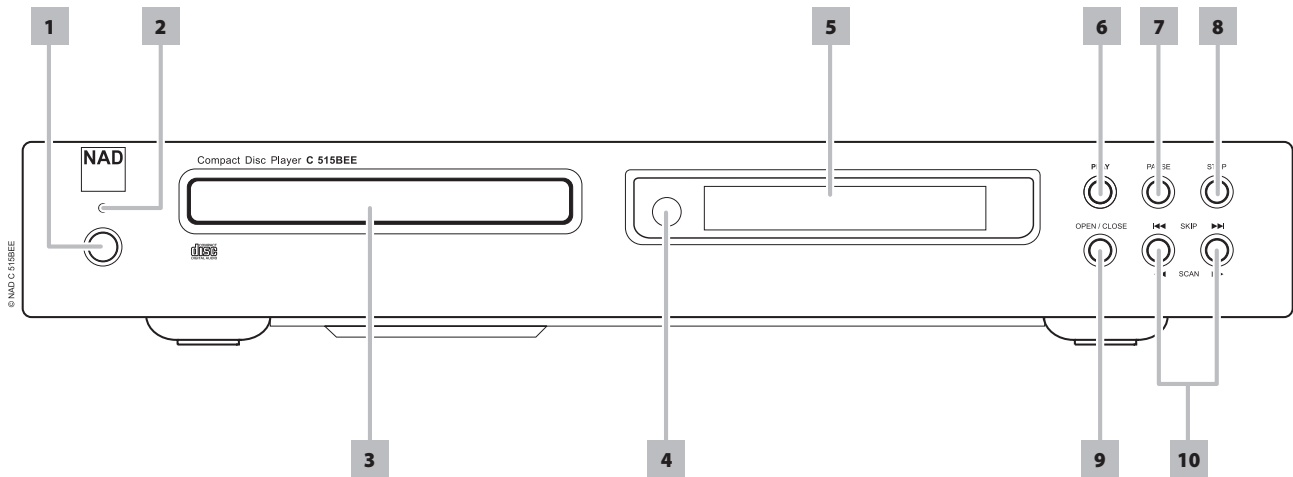
Please make all the connections to your C 515BEE with the unit unplugged. It is also advisable to power-down or unplug all associated components while making or breaking any signal or AC power connections.

PLAY A CD

- 1 Connect a twin RCA-to-RCA lead from the L (left) and R (right) Line Output jacks to the corresponding CD inputs on your amplifier.
- 2 Plug in the AC power cord.
- 3 Press the POWER button to turn ON the player.
- 4 Press [OPEN/CLOSE] to open the disc drawer.
- 5 Place a CD, label side up, in the tray's circular recess. Be certain that the disc is centered within the recess.
- 6 Press [PLAY]. The drawer closes automatically, and the disc begins to play.
- 7 At any time you may press [SKIP ►►] or [◄◄] to select different tracks on the disc.
- 8 Press [PAUSE] if you want to stop play temporarily while keeping the pickup at its current position on the disc. Press [PAUSE] again or [PLAY] when you want to resume playback. Press STOP if you want to end play and reset the pickup to the beginning of the disc.

IDENTIFICATION OF CONTROLS

FRONT PANEL



1 POWER: Press this button to switch ON the C 515BEE. The Standby LED indicator will turn from amber to blue and illuminate the Vacuum Fluorescent Display (VFD). Pressing the power button again turns the unit back to standby mode.

The C 515BEE can also be switched ON from standby mode by pressing [OPEN/CLOSE] or [PLAY] button on the front panel as well as on the remote control.

If the disc tray is open and the C 515BEE is powered OFF, the disc tray will draw close and the unit powered OFF.

2 INDICATOR: This indicator will light up amber when the C 515BEE is in standby state. When the C 515BEE is at ON state, this indicator will illuminate blue.

3 DISC TRAY: With the DISC TRAY open, insert a CD or other compatible media disc face down onto the tray.

"No Disc" appears on the C 515BEE's VFD if the disc is placed upside down.

4 REMOTE SENSOR: Point the CD 7 at the remote sensor and press the buttons. Do not expose the remote sensor of the CD 7 to a strong light source such as direct sunlight or illumination. If you do so, you may not be able to operate the C 515BEE with the remote control.

Distance: About 23ft (7m) from the front of the remote sensor.

Angle: About 30° in each direction of the front of the remote sensor.

5 VFD: The Vacuum Fluorescent Display (VFD) provides playback information, settings and other indicators.

6 PLAY: Press to start play or to resume play after Pause. If the disc tray is open, press this button to automatically close the tray and start playback if a disc is loaded.

7 PAUSE: During playback, press this button to stop playback temporarily, keeping the optical pickup at its current position on the disc. To resume playback at the exact point where it stopped, press [PLAY] or [PAUSE] again.

8 STOP: Press the [STOP] button once to stop playback and re-set the pickup to the beginning of the disc. The display reverts to showing the number of tracks and total playing time on the disc. If the C 515BEE was programmed to play a selection of tracks, the program will be retained in the player's memory.

Pressing [STOP] twice at program mode will delete the program.

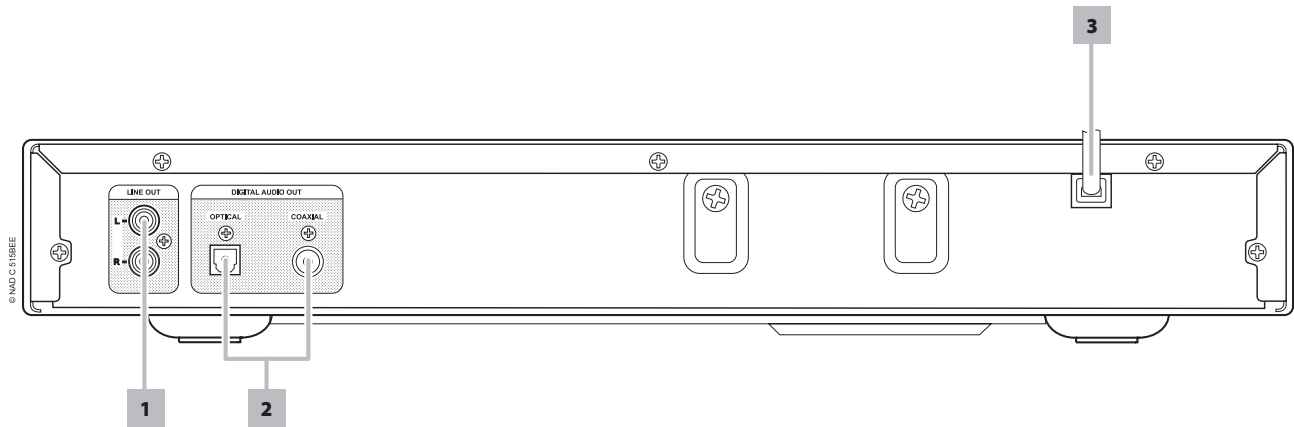
9 OPEN/CLOSE: Press this button to open and close the disc tray. When in standby, this button will also power ON the C 515BEE and at the same time open the disc tray.

10 SKIP/SCAN: Press ►► to skip forward or ◄◄ to skip backward a track or file.

Press and hold ►► or ◄◄ for more than 2 seconds to search up or down a track. The SCAN ◄◄ button causes the optical pickup to scan backwards through the recording at high speed. The SCAN ►► button causes the optical pickup to scan rapidly forward through the music.

IDENTIFICATION OF CONTROLS

REAR PANEL



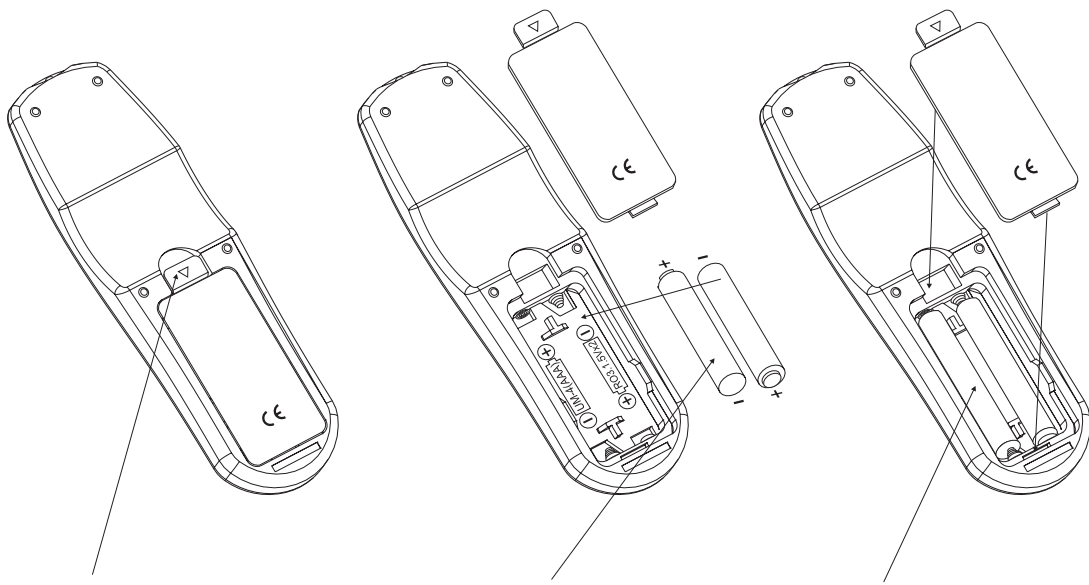
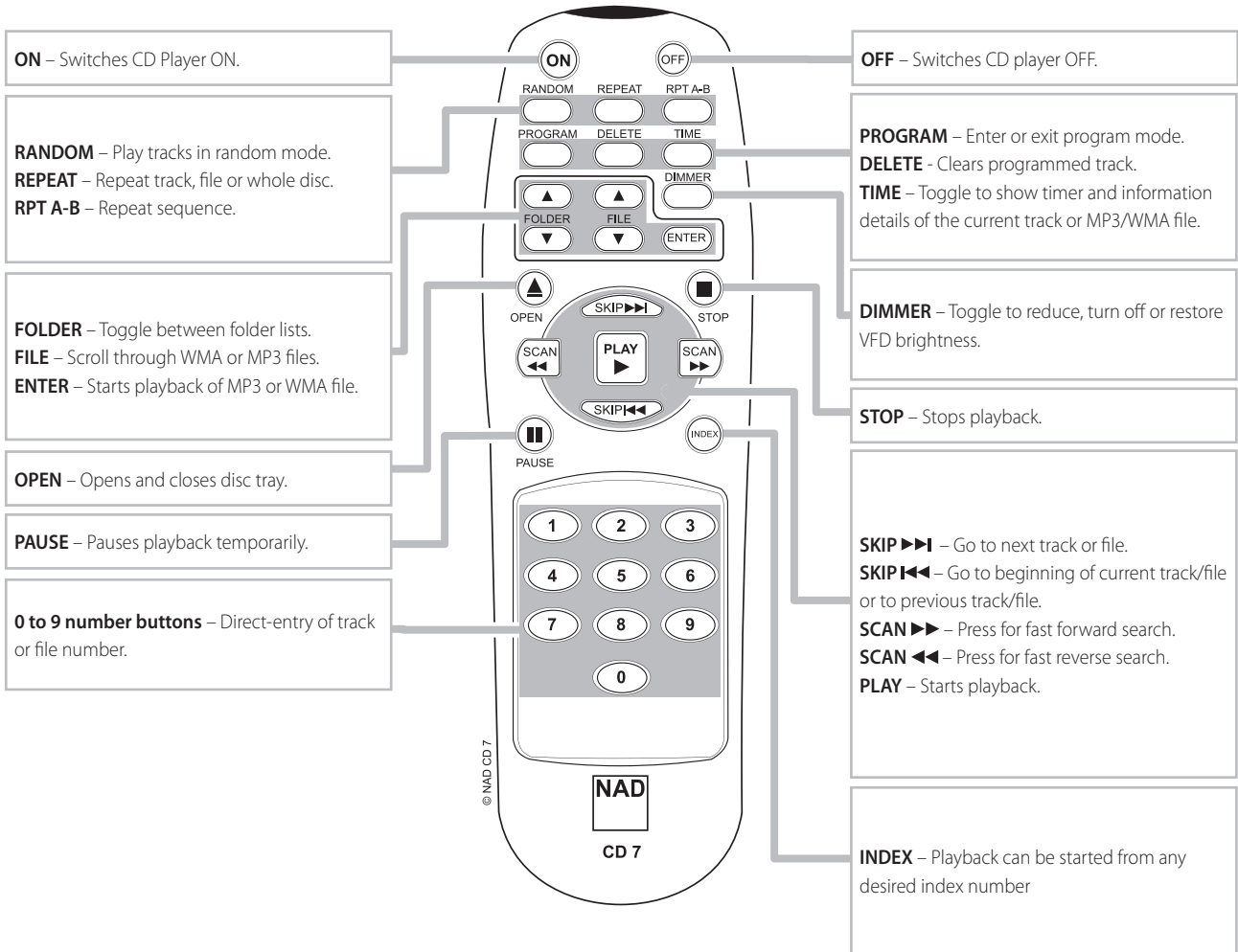
ATTENTION!

Please make sure that the C 515BEE is powered off or unplugged before making any connections. It is also advisable to power-down or unplug all associated components while making or breaking any signal or AC power connections.

- 1 LINE OUT:** Connect to the corresponding analog audio input of an amplifier, receiver or stereo system.
- 2 DIGITAL OUT (COAXIAL, OPTICAL):** Connect the optical or coaxial digital OUT ports to the corresponding S/PDIF digital input of an amplifier, receiver, computer soundcard or other digital processors.
- 3 AC POWER CORD:** Plug the AC power cord into a live AC wall socket. Make sure all connections have been made before connecting to the mains.

IDENTIFICATION OF CONTROLS

CD 7 REMOTE CONTROL



Press in and lift tab to remove battery cover out of recess.

Press batteries into opening. Ensure correct fitting is observed.

Replace battery cover by aligning and inserting the two tabs into the holes. Press battery cover into place until 'clicks' closed.

OPERATION

USING THE C 515BEE - FEATURES

CD-R AND CD-RW AUDIO DISCS

The C 515BEE can play back CD-R or CDRW audio discs that have been recorded on a computer or CD recorder. The quality of CD-R, CD-RW audio discs varies widely which may affect playability. Some factors that affect playability:

- The quality of the disc itself. Generally speaking, CD-R, CD-RW blanks from well-renowned companies give better results than unbranded ones.
- The quality of CD-recorder or computer CD re/writer. Some recorders and writers produce better results than others.
- The CD-R and CD-RW were created with high-speed writing. In general, the quality of a CD-R or CD-RW is better when produced at a lower speed against a higher speed on the same recorder or re/writer.

PLAYING MP3/WMA FILES

The C 515BEE can play MP3/WMA formatted recordings on CD-R or CD-RW discs. You may mix any of the file types on the disc. Using the CD 7 remote control, one can select through the MP3/WMA folders and files as well as start playback through the following steps

- 1 Load the applicable disc.
- 2 Press [FOLDER ▲/▼] to select desired folder. Press [ENTER].
- 3 Press [FILE ▲/▼] to select desired file number. You must be at STOP or playback mode to access both folders.
- 4 Press [ENTER] to start playback. For each file type being played, the C 515BEE will display the file type at the VFD and a corresponding icon at the VFD. Information about the Song Title, Album and Artist name, if available, will scroll through the VFD during playback.

NOTES

- *The file number is recognized per disc, not per folder – that is, the number assigned to each file corresponds to their sequence in the disc.*
- *If you want to select file number "9" in a disc where there are 100 or more MP3/WMA files, press "0" twice and then "9."*

PROGRAMMING

The program function enables you to store your favorite tracks from any disc in the player memory. When programming a sequence of tracks, the C 515BEE must be in STOP mode. Using the CD 7 remote control, enter your desired program sequence through the following steps

- 1 Press [PROGRAM]. The display indicates "P01 T00". The "00" in the "T00" keeps on blinking, meaning that the player is awaiting the first Program entry.
- 2 Use the Direct-Entry numeric keypad buttons to enter the first track in your planned sequence. Upon entering the track number, the VFD will briefly show the total number and total time of the currently programmed tracks like "TTL 01 3:25".
- 3 The display will revert to show "P02 T00," indicating that the player is ready for your second program entry. Upon entering the second track, the VFD will again briefly show the total number and total time of the currently programmed tracks like "TTL 02 6:45" – "TTL 02" indicates that there are now a total of two programmed tracks and "6:45" is the total playback time of both programmed tracks.
- 4 Repeat steps 2 and 3 to select and store other track numbers in memory, up to a maximum of 40 entries. If you attempt to program more than 40 tracks or files, "P-FULL" will be displayed in the VFD.
- 5 Press [PROGRAM] to end or finalize the program – the VFD will show the last programmed number and track.
- 6 Press ► to start program playback.

NOTES

- *The procedure for programming MP3/WMA files is the same as above with an exception at step 2 and 3 – the total number of programmed files and total playback time will not be displayed during programming.*
- *If you want to select file number "9" in a disc where there are 100 or more MP3/WMA files, press "0" twice and then "9."*
- *Pressing STOP key at any time during the programming procedure will put to a STOP the sequence and clear all the currently programmed tracks or files. VFD will revert back to displaying the total number of tracks and total playback time for audio CD and total number of files for MP3/WMA.*
- *Pressing STOP key twice during program playback will result to having the whole program list deleted.*

REVIEW / EDIT PROGRAM LIST

- 1 Initiate review or edit of your program entries through either of the following initial steps
 - If you are still in programming mode, press [PROGRAM].
 - If during program playback, press [STOP] once then [PROGRAM].
- 2 The VFD will show the first Program Number and the corresponding "blinking" programmed track.
- 3 To change the programmed track of a particular sequence, use the Direct-Entry numeric keypad buttons. Press [SKIP ►►] or [◄◄] to move forward or backward the programmed tracks as well as review the list and change if so desired.
- 4 If you want to delete a particular program sequence during program review, press [DELETE] key.
- 5 After finalizing your program changes or completing your review, press [PROGRAM] again.

PROGRAM PLAYBACK

- 1 To play the stored program, press [PLAY] while you are in "PROGRAM" mode. "PROG" icon will appear in the display, indicating that a stored program is being played. During Program Play, the SKIP buttons will access only the tracks in the program list.
- 2 If you want to play only a portion of a stored program, initiate play and press SKIP to jump over the programmed tracks that you don't want to hear.

STOP OR DELETE PROGRAM

- 1 To terminate Program play, press [STOP] once. The stored track list remains in memory. If you want to play the program again, simply press [PLAY].
- 2 To clear the program memory, perform any of the following steps
 - Press [STOP] twice during program playback.
 - Press [OPEN] to open the disc tray.
 - Switch OFF the power.

A wireless remote control is provided with your compact disc player, enabling you to operate playback functions from the comfort of your chair or from virtually anywhere in the room. For reliable operation there should be a clear line-of-sight path from the remote control to the front of the CD player. If the player does not respond to remote commands, it may be that this line-of-sight path is obstructed by clothing, paper, or furnishings.

Most of the buttons on the remote control handset have the same effect as the corresponding buttons on the front panel of the player. In addition, the handset is equipped with some extra buttons like the following function keys.

NUMERIC KEY PAD

Using the direct-entry numeric keypad (0 to 9) causes the C 515BEE to jump directly to the beginning of a numbered track and commence play. Thus, to play Track 5, simply press "5". To play Track 20, press "2" and "0".

REPEAT

To repeat the playback of a particular track or file, press the CD 7's [REPEAT] key once. Toggle the [REPEAT] key to repeat all the tracks, files, folder (blinking) or until repeat mode is turned OFF.

REPEAT A-B

To repeat a sequence, implement the following procedures:

- 1 Press [RPT A-B] at your chosen starting point.
- 2 Press [RPT A-B] again at your chosen end point. The repeat sequence begins.
- 3 Press [RPT A-B] again to cancel the sequence.

RANDOM

Press [RANDOM] key during playback or stop mode. Playback of the first randomly selected track or file automatically begins. A corresponding "RANDOM" icon is illuminated at the VFD. Press [RANDOM] again to return to normal playback.

DIMMER

Toggle to reduce, turn off and restore VFD brightness.

TIME

Toggle to display the following disc information during playback.

INFORMATION	AUDIO CD	CD TEXT	MP3/WMA
Elapsed time of the current track	✓	✓	-
Remaining time of the current track	✓	✓	-
Total playback time of the disc	✓	✓	-
Remaining time of the disc	✓	✓	-
Disc title	-	✓	-
Track name	-	✓	-
Artist name	-	✓	✓
Song title	-	✓	✓
Elapsed time of the current file	-	-	✓
Remaining time of the current file	-	-	✓
File name	-	-	✓
Album name	-	-	✓
Year	-	-	✓
Comment	-	-	✓

NOTES

- Some information may not be displayed on some discs. Display is dependent on the disc's information content.
- Information about the Song Title, Album and Artist name, if available, will scroll through the VFD during playback.
If the file has no available information about the artist or album, the display will show "No artist" or "No album".
- For audio CD, the default information display is the elapsed time of the current track.

INDEX

The index system is a method of subdividing tracks into smaller divisions for easier location of those parts. If a disc includes index numbers, playback can be started from any desired index number through the following steps

- 1 Press [INDEX] during playback.
- 2 Using the numeric buttons, press the desired index number - for example "0" and "3". The VFD will show "INDEX 03 TR10" with "03" the entered index number.
- 3 To revert to normal display information, press [INDEX] again.

REFERENCE

TROUBLESHOOTING

CONDITION	POSSIBLE CAUSES	POSSIBLE SOLUTIONS
No power.	<ul style="list-style-type: none">The power cord is disconnected.	<ul style="list-style-type: none">Plug the power cord into the wall outlet securely.
The power is on, but the C 515BEE does not work.	<ul style="list-style-type: none">No disc is inserted.	<ul style="list-style-type: none">Insert a disc.
The C 515BEE does not start playback.	<ul style="list-style-type: none">The disc is loaded upside down.	<ul style="list-style-type: none">Reload the disc with the label side UP.
	<ul style="list-style-type: none">The disc is too dirty.	<ul style="list-style-type: none">Clean the disc.
No sound.	<ul style="list-style-type: none">The equipment connected with the audio cable is not set to receive CD signal output.	<ul style="list-style-type: none">Select the correct input mode of the audio receiver so you can listen to the sound from the C 515BEE.
	<ul style="list-style-type: none">The power of the equipment connected with the audio cable is turned off.	<ul style="list-style-type: none">Turn on the equipment connected with the audio cable.
Sound skips.	<ul style="list-style-type: none">The C 515BEE is subject to vibration or physical shock from external sources.	<ul style="list-style-type: none">Change the installation location.
The remote control does not work properly.	<ul style="list-style-type: none">The remote control is not pointed at the remote sensor on the CD player.	<ul style="list-style-type: none">Point the remote control at the remote sensor of the CD player.
	<ul style="list-style-type: none">The remote control is too far from the CD player.	<ul style="list-style-type: none">Operate the remote control closer to the CD player.
	<ul style="list-style-type: none">The remote control batteries are dead.	<ul style="list-style-type: none">Replace the remote control batteries.

NOTES ON DISCS

HANDLING DISCS

Do not touch the playback side of the disc. Hold the disc by the edges so that fingerprints do not get on the surface. Never stick paper or tape on the disc.

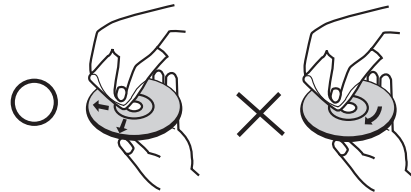


STORING DISCS

After playing, store the disc in its case. Do not expose the disc to direct sunlight or sources of heat and never leave it in a parked car exposed to direct sunlight.

CLEANING DISCS

Fingerprints and dust on the disc can cause poor picture quality and sound distortion. Before playing, clean the disc with a clean cloth. Wipe the disc from the center out.



Do not use strong solvents such as alcohol, benzene, thinner, commercially available cleaners, or anti-static spray intended for older vinyl records.

SYSTEM

Output level	2.2V
Frequency response (ref. 0dB 20Hz-20kHz)	+ 0.5dB
Total harmonic distortion (ref. 1kHz)	<0.003%
Signal/Noise ratio (A-weighted, ref. 1kHz)	110dB
Channel balance (ref. 0dB 1kHz)	+ 0.5dB
Dynamic range	95dB
Channel separation	95dB (1kHz) 95dB (10kHz)
De-emphasis (ref. 0dB)	-4.53 + 0.5dB (5kHz) -9.04 + 0.5dB (16kHz)
Linearity (ref. 0dB)	+ 0.01dB (0 to -60dB)

PHYSICAL SPECIFICATIONS

Dimensions (W x H x D)	435x60x241mm (Net) 435x65x249mm (Gross)
Net weight	3.52kg
Shipping weight	4.7kg

Note: Gross dimensions include feet, extended buttons and rear panel terminals.

Specifications are subject to change without notice. For updated documentation and features, please log onto www.NADelectronics.com for the latest information about C 515BEE.



www.NADelectronics.com

**©2007 NAD ELECTRONICS INTERNATIONAL
A DIVISION OF LENBROOK INDUSTRIES LIMITED**

All rights reserved. No part of this publication may be reproduced, stored or transmitted in any form without the written permission of NAD Electronics International

C 515BEE Manual 09/07